



TABLET FEEDING SYSTEMS

CVC 1101E



The CVC 1101E pre-feeding system is a pharmaceutical grade low profile tablet pre-feeder, designed with a streamline easy-to-clean hopper, that would accommodate both tablets and capsules. The system is a compactly designed with hopper bin lifting system to automatically elevate and deliver tablets or capsules from floor level to the hopper of the counter.

The CVC 1101E can be configured for single or dual head counting systems (depending on the counter layout).

STANDARD FEATURES

- On/off is automatically triggered.
- Timer for tablet/capsule feeding time control.
- Accompany with lower vacuum dust extraction port, dust accumulation is minimized.
- Height adjustment is electrically controlled with auto lock; hopper is hooked when power cuts.
- All contact parts are made of SS316.
- Full cGMP compliance.

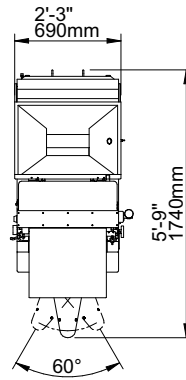


CVC 1101E Technical Specifications

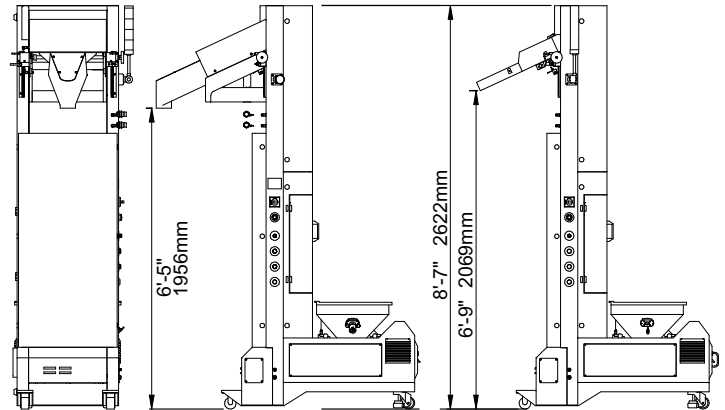
Hopper Capacity	1.8 cu. ft. (50L)
Power Source	220V, 50/60 Hz, Single Phase
Power Consumption	750 Watts (3.4 Amps at 220V)
Machine Dimensions	D 5'-9" x 2'-3" x 8'-7" (1740mm x 690mm x 2622mm) (L x W x H)

MACHINE LAYOUTS

Top View



Front View



The dimensions shown are for standard machine. The conveyor can be extended: the length may vary based on selected options. This machine can run independently or be integrated into an automated packaging line. All CVC equipment is covered by a one-year parts warranty. Full Warranty details are included in our equipment proposals or can be found on our website.



Contact Us

USA
10861 Business Drive, Fontana, CA 92337
Phone: +1 (909) 355-0311
www.cvctechnologies.com
sales@cvcusa.com

USA East Coast Office
1855 New Highway, Suite C, Farmingdale NY 11735
sales@cvcusa.com

Taiwan-Asia Pacific Headquarters
Phone: +886 (4) 2496-3666
sales@cvctechnologies.com

China/India/Indonesia
sales@cvctechnologies.com