



# CANISTER DESICCANT INSERTER CVC 112H



The CVC 112H Canister Desiccant Inserter sorts and dispenses desiccant barrels into containers at speeds of up to 200 bottles per minute. The system is designed to comply with cGMP requirements and is controlled by Siemens PLC and servo motor.

## STANDARD FEATURES

- Servo Motor & Siemens PLC Controlled
- No-bottle no-fill
- Safety guards with automatic machine stop
- Pneumatic gating for positive stop
- cGMP compliance



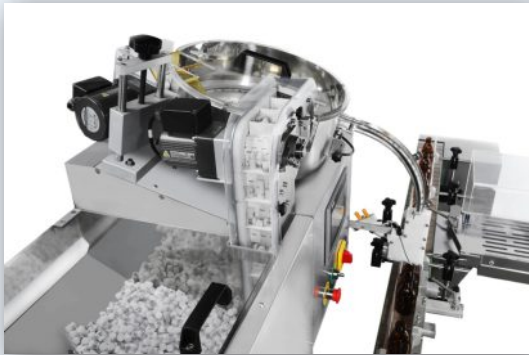
## CVC 112H Technical Specifications

|   |  |
|---|--|
| Capacity  | Up to 200 Bottles per minute(BPM)                              |
| Note: Rate is based on 1 gram canister with one insertion per bottle and canister size is 14mm Diam. X 18mm Ht. | 1.25 : 1.00<br>Canister diameter cannot equal canister height. |
| Canister Diameter   | 14-20 mm   |
| Canister Height   | 18-25 mm   |
| Desiccant canister (Ht/diam. Ratio)   | 1.25 : 1.00  |
| Power Source  | 220V, 50/60 Hz, 1 Phase  |
| Power Consumption   | 350 W  |
| Air Pressure  | 87 psi   |
| Machine dimensions  | 966mm (L) x 1150mm (W) x 2160mm (H)                            |

# TECHNICAL SPECIFICATIONS

## AVAILABLE OPTIONS

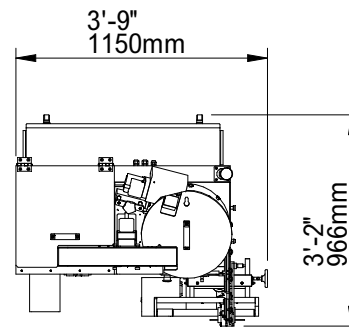
- Infeed feed screw system for high speed applications
- Tower lamp
- 21 CFR Part 11 License



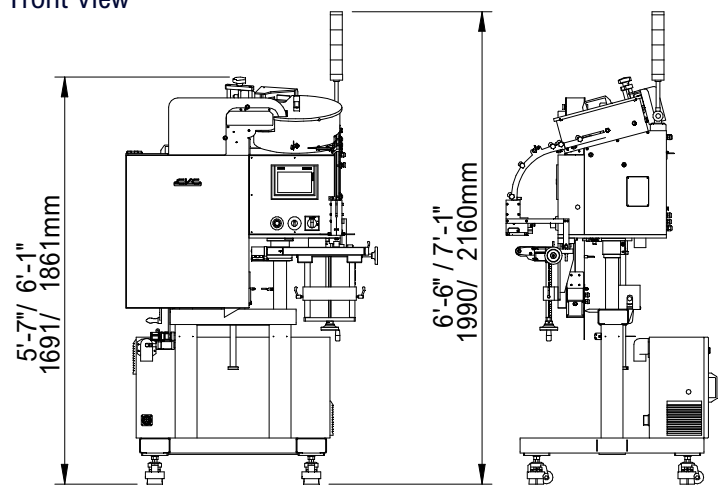
INTEGRATED PRODUCT HOPPER

## MACHINE LAYOUTS

### Top View



### Front View



The dimensions shown are for standard machine. The conveyor can be extended: the length may vary based on selected options. This machine can run independently or be integrated into an automated packaging line. All CVC equipment is covered by a one-year parts warranty. Full Warranty details are included in our equipment proposals or can be found on our website.



### Contact Us

**USA**  
10861 Business Drive, Fontana, CA 92337  
Phone: +1 (909) 355-0311  
[www.cvctechnologies.com](http://www.cvctechnologies.com)  
[sales@cvcusa.com](mailto:sales@cvcusa.com)

**USA East Coast Office**  
1855 New Highway, Suite C, Farmingdale NY 11735  
[sales@cvcusa.com](mailto:sales@cvcusa.com)

**Taiwan-Asia Pacific Headquarters**  
Phone: +886 (4) 2496-3666  
[sales@cvctechnologies.com](mailto:sales@cvctechnologies.com)

**China/India/Indonesia**  
[sales@cvctechnologies.com](mailto:sales@cvctechnologies.com)