



IN-LINE CAPPER CVC 1206



The CVC 1206 Capper is a very flexible machine designed to apply and tighten screw-on caps onto containers at rates of up to 140 bottles per minute. The CVC 1206 is Siemens PLC controlled. The system is designed with three pairs of capping spindles. Options include tower lamp, hopper level control, cap inspection (level cap, foil seal, and no cap), reject, and reject verification.

- Built to cGMP standards
- Stainless steel construction
- Quick and easy change over

STANDARD FEATURES

- Siemens PLC Controlled
- Cap tightening station with three pairs of capping spindles.
- 7.4 cuft. integrated cap hopper elevator
- ISO 9001:2015 certified



Cap Roller Press Assembly (Option)



CVC 1206 Technical Specifications

Type	U4
Productivity	Up to 120-150 BPM (base on 40-100 cc round bottle, subject to trial confirmation)
Applicable Size	Cap: Dia.: Ø30-90 mm (1 1/4" to 3 1/2") Height: 10-25 mm (3/8" to 1") Bottle: Dia.: Ø30-110 mm (1 1/4" to 4 1/4") with Cap Height: 50-220 mm (2" to 8 1/2")
Hopper Capacity	210 L (7.4 Cuft)
Power Source	220 V, 50/60 HZ, 1 PH
Power Consumption	1,540 VA (7 A)
Air Pressure	6 bar (87psi)
Air Consumption	200 NL/min (7 CFM)
Machine Dimensions [L x W x H]	1,715 x 1,640 x 2,265 mm (5'-8" x 5'-5" x 7'-5")
Machine Weight	764 kg (1,684 lbs)
Noise Level	≤ 60 dB

Technical data contained in this material are not binding and may be subject to change without prior notice.

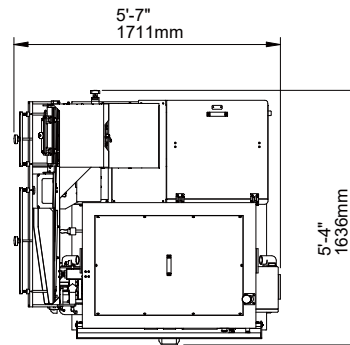
TECHNICAL SPECIFICATIONS

AVAILABLE OPTIONS

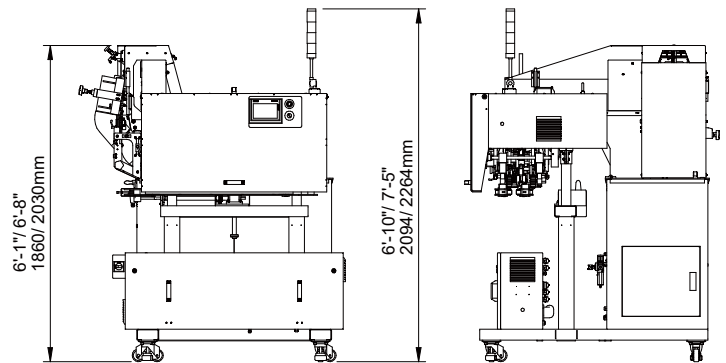
- Motorized Sanitary Conveyor
(4 1/2" wide belt standard or 6" wide belt available)
- 3-Color Stack Tower Light
- Hopper Level Control
- Cap Inspection Package (Level Cap, No Cap, Foil Presence)
- Rejection System, Reject Verification
- Dual-belt Gripping System
- 21 CFR Part 11 License

MACHINE LAYOUTS

Top View



Front View



Technical data contained in this material are not binding and may be subject to change without prior notice.



Contact Us

USA

10861 Business Drive, Fontana, CA 92337
Phone: +1 (909) 355-0311
www.cvctechnologies.com
sales@cvcusa.com

USA East Coast Office

1855 New Highway, Suite C, Farmingdale NY 11735
sales@cvcusa.com

Taiwan-Asia Pacific Headquarters

Phone: +886 (4) 2496-3666
sales@cvctechnologies.com

China/ India

sales@cvctechnologies.com