



# COTTON INSERTER CVC 1117



The CVC 1117 Series of Cotton Inserter is designed to insert polyester, rayon, or cotton coil into

containers at speeds up to up to 80 bottles per minute. The CVC 1117 is Siemens PLC driven and Servo Motor controlled. Options include tower lamp, missing cotton in bottle detection, reject, and reject verification. The cotton piece length can be set from 70mm to 150mm. It can place from 1-10 inserts per bottles.

## STANDARD FEATURES

- Can be fitted over existing conveyor.
- Servo Motor & Siemens PLC Controlled.
- Display touchscreen instruction for machine operation is available in two languages.
- Capability of recipe storage.
- Storage and printing of Production Report and Alarm Report.
- Safety guards with automatic machine stop when opened.
- Servo driven.
- Bottle backlog sensor.
- Type 304 stainless steel bin, frame, enclosure panels.
- Type 316L stainless steel and FDA approved liquid contact parts.
- ISO 9001:2015 certified.
- CE or UL/CSA standard PC safety guard.
- Built to cGMP standards.



## CVC 1117 Technical Specifications

Max. Productivity	Up to 100 BPM with single insertion per head
Applicable Cotton	Type: Natural or synthetic fiber Weight: 7 to 16g / measure Cotton Length: 2 3/4" to 5 7/8" (70mm - 150mm)
Bottle Size Range	Height: 2" to 8 5/8" (51mm to 220mm) Diameter: 1 1/4" to 4 1/4" (32mm - 108 mm) Neck Opening: 1" to 2" (25mm - 51 mm)
Power Source	220 V, 50/60 Hz, 1 Phase
Power Consumption	465 VA (2.2 Amp)
Air Pressure	Minimum 87 psi (6 bar) (ISO 8573-1)
Air Consumption Machine	12.3 CFM (350 NL/min.)
Dimensions (L x W x H)	2'-4" x 3'-3" x 6'-2" (715 x 1000 x 1890 mm)
Machine Weight	364 lbs (165 kg)
Noise Level	≤ 80 dB

# TECHNICAL SPECIFICATIONS

## AVAILABLE OPTIONS

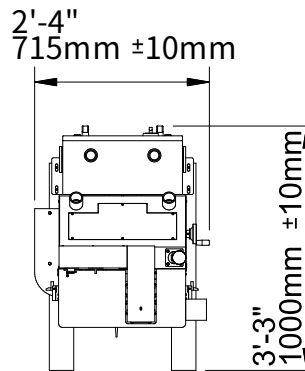
- Cotton storage box
- Conveyor
- Infeed / outfeed conveyor extensions
- Infeed rotary table
- Rotary accumulation table
- Bottle reject system
- Reject verification
- Validation of bottle discharge
- Missing cotton detection & reject system
- Bottle format changeover parts
- Tower lamp
- 21 CFR Part 11 License
- OPC UA for data collection



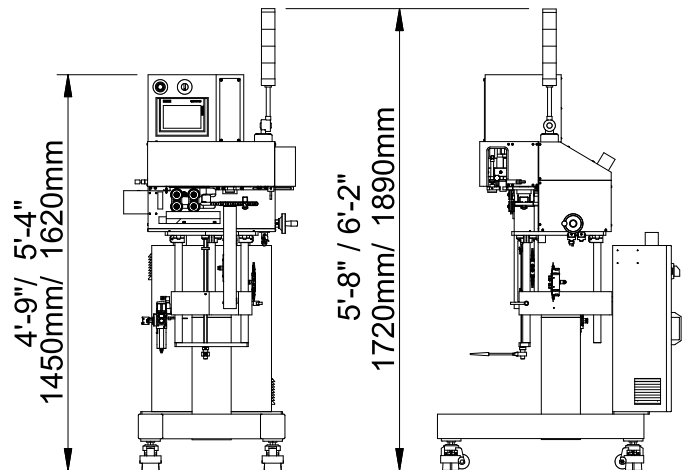
Cotton storage box

## MACHINE LAYOUTS

### Top View



### Front View



The dimensions shown are for standard machine. The conveyor can be extended: the length may vary based on selected options. This machine can run independently or be integrated into an automated packaging line. All CVC equipment is covered by a one-year parts warranty. Full Warranty details are included in our equipment proposals.



## Contact Us

**USA**  
10861 Business Drive, Fontana, CA 92337  
Phone: +1 (909) 355-0311  
[www.cvctechnologies.com](http://www.cvctechnologies.com)  
[sales@cvcusa.com](mailto:sales@cvcusa.com)

**USA East Coast Office**  
1855 New Highway, Suite C, Farmingdale NY 11735  
[sales@cvcusa.com](mailto:sales@cvcusa.com)

**Taiwan-Asia Pacific Headquarters**  
Phone: +886 (4) 2496-3666  
[sales@cvctechnologies.com](mailto:sales@cvctechnologies.com)

**China/India**  
[sales@cvctechnologies.com](mailto:sales@cvctechnologies.com)