



## BOTTOM LABELER CVC 210



The CVC 210 Bottom Labeler is built to automatically apply pressure sensitive labels onto the bottom of flat and indented containers. The CVC 210 comes standard with a 6" wide belt conveyor and is ideal for contract packagers and manufacturers serving the nutraceutical, food, cosmetic, personal care, and consumer electronic markets. All CVC labelers include our patented SelfSet™ software which utilizes a high frequency encoder for extremely easy setup and wrinkle free labeling at the touch of a button.

### STANDARD FEATURES

- SelfSet™ Auto Adjusting Control System
- Stainless Steel Frame on Lockable Casters
- Stainless Steel Flatbed Conveyor, 6" Wide Endless Green Belt
- Touch Screen HMI
- Label Head with up to  $\pm 1$  mm ( $1/32$ " ) Accuracy
- Label Sensor for Paper or Opaque Labels
- Capacity: up to 150 Pieces Per Minute (PPM) (subject to our factory trial confirmation)



All CVC labelers include our patented SelfSet™ software which utilizes a high frequency encoder for extremely easy setup and wrinkle free labeling at the touch of a button.

### CVC 210 Technical Specifications

Type	U1
Productivity	Up to 150 PPM (subject to trial confirmation) Dispense Speed: 24 M/min (78 ft/min)
Applicable Size	Label Length: 15-250 mm ( $1/2$ " to 10") Label Width: (dependent on label head type) A: 15-80 mm ( $1/2$ " to 3") B: 15-120 mm ( $1/2$ " to 4 $3/4$ " ) Product Length: 30-260 mm (1 $1/4$ " to 10 $1/4$ " ) Product Width: 25-150 mm (1" to 6") Product Height: 25-150 mm ( $1/2$ " to 6")
Power Source	110/220 V, 50/60 Hz, 1 PH
Power Consumption	350 VA (110V: 3.2 A, 220V: 1.6 A)
Air Pressure	6 bar (87 psi)
Air Consumption	50 NL/min (1.8 CFM) (for optional Lot/Date printer)
Machine Dimensions ( L x W x H )	1,440 x 895 x 1470 mm (4'-9" x 2'-11" x 4'-10")
Machine Weight	130kg (287 lbs)
Noise Level	$\leq 75$ dB

\* Machine specifications are subject to change without notice.

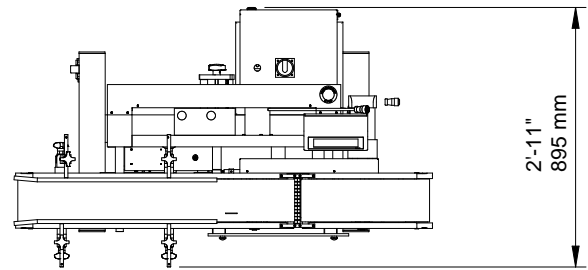
# TECHNICAL SPECIFICATIONS

## MACHINE LAYOUTS

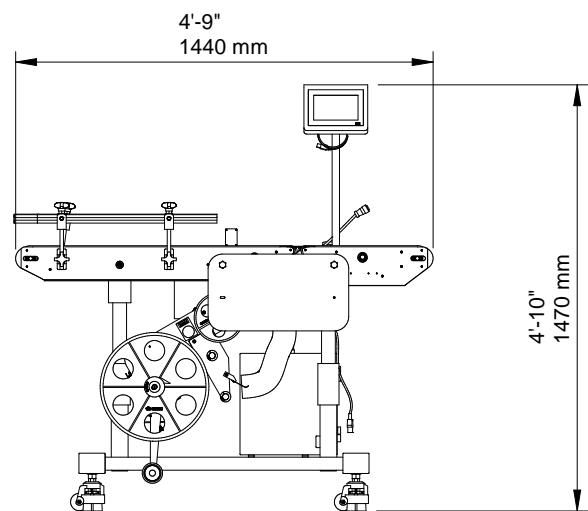
### AVAILABLE OPTIONS

- Clear, Metallic or Color Label Sensor
- End to End Transfer Plates
- Infeed and Outfeed Conveyor Extensions (Factory installed only)
- Separator Wheel for Controlled Spacing (Factory installed only)

### Top View



### Front View



The dimensions shown are for standard machine. The conveyor can be extended: the length may vary based on selected options. This machine can run independently or be integrated into an automated packaging line. All CVC equipment is covered by a one-year parts warranty. Full Warranty details are included in our equipment proposals or can be found on our website.



### Contact Us

**USA**  
10861 Business Drive, Fontana, CA 92337  
Phone: +1 (909) 355-0311  
[www.cvctechnologies.com](http://www.cvctechnologies.com)  
[sales@cvcusa.com](mailto:sales@cvcusa.com)

**USA East Coast Office**  
1855 New Highway, Suite C, Farmingdale NY 11735  
[sales@cvcusa.com](mailto:sales@cvcusa.com)

**Taiwan-Asia Pacific Headquarters**  
Phone: +886 (4) 2496-3666  
[sales@cvctechnologies.com](mailto:sales@cvctechnologies.com)

**China/ India**  
[sales@cvctechnologies.com](mailto:sales@cvctechnologies.com)