



WRAP-AROUND LABELER

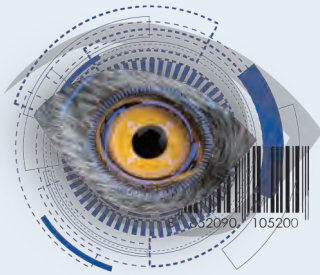
CVC 302



The 302 Hawk™ Labeler is uniquely designed for pharmaceutical as well as other companies that value quality control in packaging.

STANDARD FEATURES

- Stops automatically if the optional bar code scanner can not verify the bar code
- Stops automatically if the label length is incorrect
- Auto rejection system for missing hot stamp code
- Auto rejection system for missing label
- Featuring CVC SelfSet™
- Automatic adjustment of product separation: The CVC 302 automatically regulates distance between each bottle to prevent missing labels caused by bottles crowded
- Servo-driven labeling head brings the remarkable improvement of output labeling speed ranging from 163 to 233 feet per minute
- Meets cGMP requirements, and ISO 9001:2015 standards
- The labeling head is powered by servo motor for increased speed, power and accuracy
- Touch screen control programmed in English, Spanish and Chinese
- The CE model is available upon request



CVC 302 Technical Specifications

Type	U4
Productivity	Up to 150 BPM (subject to trial confirmation) Up to 250 BPM [Tiny Bottle and Feed Screw] Labeling Speed: 75 M/min [246 ft/min]
Applicable Size	Label: Length: 15-254 mm (1/2" to 10") Width: (depend on label head type) A: 15-80 mm (1/2" to 3") (only CVC 302) B: 15-120 mm (1/2" to 4 3/4") C: 15-150 mm (1/2" to 6") D: 15-180 mm (1/2" to 7") E: 15-220 mm (1/2" to 8 3/4") Bottle: Dia.: Ø30-110 mm (1 1/4" to 4 1/4") (depend on conveyor width) Height: 50-320 mm (2" to 12 1/2")
Power Source	220 V, 50/60 HZ, 1 PH
Power Consumption	880 VA (4 A)
Air Pressure	6 bar (87 psi)
Air Consumption	78.5 NL/min (2.8 CFM) (for optional reject and Lot/Date printer)
Machine Dimensions (L x W x H)	3,080 x 1,295 x 1,580 mm (10'-1" x 4'-3" x 5'-2")
Machine Weight	370 kg (816 lbs)
Noise Level	≤ 75 dB

Technical data contained in this material are not binding and may be subject to change without prior notice.

TECHNICAL SPECIFICATIONS

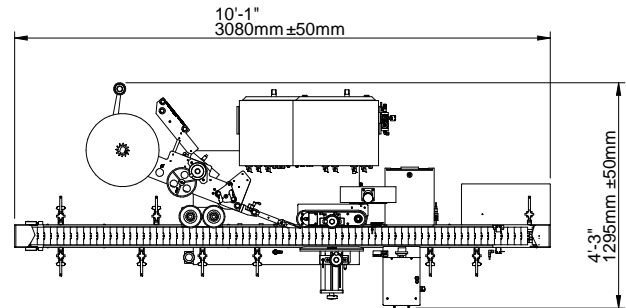
AVAILABLE OPTIONS

- C70 Hot Stamp (Lot/Date Coding)
- Missing Hot Stamp Imprint Check
- Integrated Thermal Printer (Lot/Date, Bar Code and Graphics)
- Dataflex or Similar Lot/Date Code Printer
- Clear, Metallic or Color Label Sensor
- End to end Transfer Plates
- Infeed and outfeed Conveyor Extensions
- Adjustable Tilt for Tapered Bottles
- Product Infeed Tray With Stainless Steel Insert And Paddle For Easy Product Loading Onto A Rotary Turntable
- Feed Screw
- Custom Made Wrap Station
- Camera Detection (OCV System)
- Missing Label Detection System (UV)
- Rejection System
- Rejection Verification Check
- 3-Color Tower Stack Light
- 21CFR Part 11 Compliance
- OPC UA for Data Collection

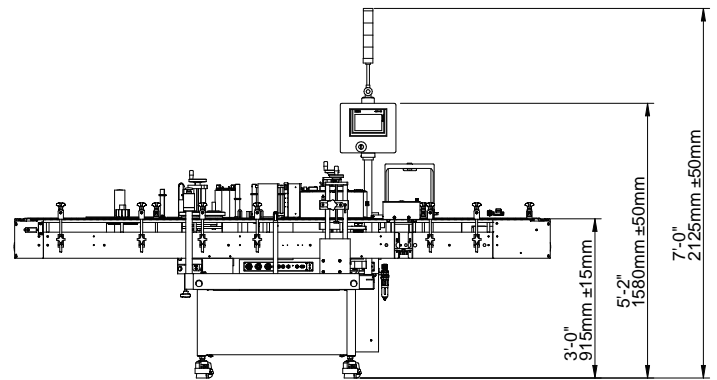


MACHINE LAYOUTS

Top View



Front View



The dimensions shown are for standard machine. The conveyor can be extended: the length may vary based on selected options. This machine can run independently or be integrated into an automated packaging line. All CVC equipment is covered by a one-year parts warranty. Full Warranty details are included in our equipment proposals.



CVC TECHNOLOGIES, INC.



Contact Us

USA

10861 Business Drive, Fontana, CA 92337
Phone: +1 (909) 355-0311
www.cvcusa.com ; www.cvctechnologies.com
sales@cvcusa.com

Taiwan-Asia Pacific Headquarters

Phone: +886 (4) 2496-3666
sales@cvctechnologies.com

India

Phone: +91 (22) 2562-1242, +91 (22) 2562-1243
sales@cvctechnologies.com

China

Phone: +86 (512) 8363-6368
sales@cvctechnologies.com