

IN-LINE LIQUID FILLER

CVC 3036-12



CVC 3036-12 with in-line configuration are really versatile fillers that easily - and inexpensively - accommodates to different bottle sizes.

STANDARD FEATURES

- Diving type filling mechanism: filling nozzles dip into bottles and move up while liquid is being filled. It features less foaming during filling.
- 12 filling stations.
- Servo driven on both volumetric pistons and nozzles.
- Flexible adjustments can meet different product characteristics and bottle shapes.
- Various speed settings of liquid filling.
- Drip tray.
- Capability of recipe storage.
- Simple and quick tech mode setup.
- Track full / track empty sensors.
- Bottle mouth holder design for special applications (require to conduct our factory test).
- PLC control with user-friendly operation.
- Motorized single lane sanitary conveyor. customized conveyor lengths are available upon request.
- Type 304 stainless steel bin, frame, enclosure panels.
- Type 316L stainless steel contact parts.
- ISO 9001 : 2015 certified.



CVC 3036-12 Technical Specifications

Max. Productivity	Up to 72 Bottles per Minute (BPM)
Stable Productivity	6 Cycles, 64 - 72 BPM (base on 100 c.c. filling volume water)
Power Supply	220 V/ 50(60) HZ/ 1 PH
Power Consumption	6100 VA
Amp.	About 32 A
Air Consumption	55 NLit/m (1.95 CFM)
Air Pressure	6 kgf/cm ² (87psi)
Machine Dimension	13'-9" x 3'-5" x 7'-3" (4200mm x 1040mm x 2200mm) (L x W x H)
Net Weight	1010 kg (2226 lbs)
Noise Level	70 ~ 75 dB
Viscosity	1500 cps
Applicable Size	Bottle Dia.: Ø30~110 mm Bottle Height: 50~220 mm Mouth Opening (I/D): Ø10~15 mm (1/4" nozzle 6.5 mm), over Ø15 mm (Standard nozzle 13 mm)
Applicable Bottle	Plastic bottles, Glass bottles
Filling Range & Accuracy	20 ~ 500 ml ± 1% (Need to adapt different volumetric piston pumps and proper nozzles)

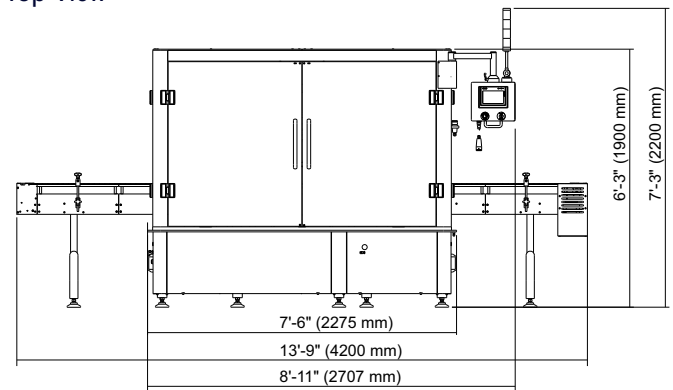
TECHNICAL SPECIFICATIONS

AVAILABLE OPTIONS

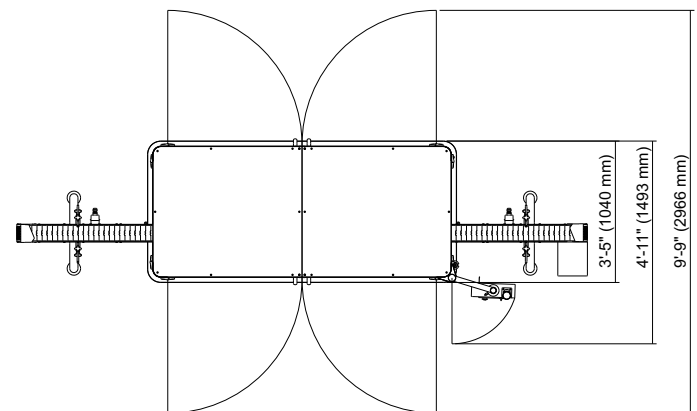
- Include various sizes of volumetric pistons with fill volume capacity range from 20 ml up to 500 ml.
- Shut-off nozzles,.
- Liquid buffer/storage tanks.
- 21 CFR PART 11 compliance.
- OPC UA for data collection.
- Bottle neck holders.
- Bottle feed screw.
- Bottle feed screw for handling irregular shaped containers.

MACHINE LAYOUTS

Top View



Front View



The dimensions shown are for standard machine. The conveyor can be extended: the length may vary based on selected options. This machine can run independently or be integrated into an automated packaging line. All CVC equipment is covered by a one-year parts warranty. Full Warranty details are included in our equipment proposals or can be found on our website.



Contact Us

USA

10861 Business Drive, Fontana, CA 92337
Phone: +1 (909) 355-0311
www.cvctechnologies.com
sales@cvcusa.com

USA East Coast Office

1855 New Highway, Suite C, Farmingdale NY 11735
sales@cvcusa.com

Taiwan-Asia Pacific Headquarters

Phone: +886 (4) 2496-3666
sales@cvctechnologies.com

China/India

sales@cvctechnologies.com